

Home ventilation with heat recovery – Ne^{xx}t K

Crossflow heat exchanger

Description and functions

The Ne^{xx}t is a heat recovery unit, which combines the advantages of centralized and decentralized ventilation and, at the same time, one of the quietest units that currently exist in this class. From now on, several rooms can be operated with only one unit. The Ne^{xx}t achieves a heat recovery rate of up to 90%. The heat transfer is effected by a crossflow heat exchanger.

Placed behind an elegant screen, the control - when operated - provides a clear but subtle feedback by backlighting. By default, the Ne^{xx}t is controlled via four humidity or temperature sensors. The Ne^{xx}t can be installed both under and on plaster. The installation housing of the surface mounted version includes a stylish design frame making an attractive visual impact.

Installation

The Ne^{xx}t can be installed both under and on plaster. There are housings for surface or flush mounting available. A 160mm wall tube is used for the duct to the outside.

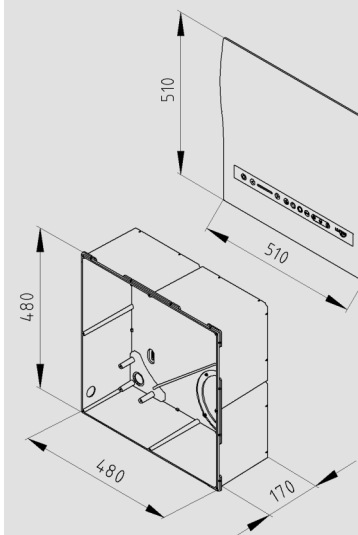
The cutout installation housing has to build-in with a depth of 170mm into the outer wall. For the rest of the distance to the outside is a drill hole needed where the pipe will be inserted and filled with adapters.

The Ne^{xx}t will be delivered with one passive transition section and two adapters. So an installation depth of 475 mm will be achieved with the included accessories. If the total depth of 475 mm is not sufficient there can be used further adapters.

For the surface-mounting is a design frame necessary. Only then the Ne^{xx}t can be used onto the outer wall.



Ne^{xx}t K



Ne^{xx}t by LUNOS ensures energy efficient class A according to the Ecodesign Directive



E289 07.16

Accessoires

Pipe	500 mm 9/R160 700 mm 9/R160-700
Filter (2 pcs.), Filter class M5	9/FNXT-5
Filter (2 pcs.), Filter class F7	9/FNXT-7
Filter (2 pcs.), Filter class F9	9/FNXT-9
Outer hood	
White	1/HWE-2
Anthracite	1/HAZ-2
Plastic white	1/EGA
Adapter (Ø x L) 152 x 100 mm	2/AD 160
Electrical flap closure	9/KVEN-2
Radio module, ec-Transceiver	5/FM
Wall installation housing	9/MRD

Technical data

Volume flow	15 – 110 m ³ /h <i>Infinitely variable</i>
Voltage	230 V / 50 Hz 115 V / 60 Hz on demand
Power consumption**	22 Watt
Heat recovery rate*,**	62 %
Max. Heat recovery rate	80 %
<i>at 15 m³/h und test conditions according to EN13141-8</i>	
Sound power level**	40 dB(A)
Minimum wall thickness	Flush-mounted 110 mm Surface-mounted 280 mm
Dimensions of the device W x H x D	480 x 480 x 170 mm
Dimensions of the inner screen W x H x D	510 x 510 x 66 mm
Dimensions of the outer hood W x H x D	205 x 235 x 72 mm

* according to EN 13141-8

** at 70 % of the max. volume flow, according to the ErP-EU-directive 1254, measured of M5-Filter

Assembly adhesive

Current processing: Juli 2016

Home ventilation with heat recovery – Ne^{xx}t G

Counterflow heat exchanger

Description and functions

The Ne^{xx}t is a heat recovery unit, which combines the advantages of centralized and decentralized ventilation and, at the same time, one of the quietest units that currently exist in this class. From now on, several rooms can be operated with only one unit. The Ne^{xx}t achieves a heat recovery rate of up to 90%. The heat transfer is effected by a counterflow heat exchanger.

Placed behind an elegant screen, the control - when operated - provides a clear but subtle feedback by backlighting. By default, the Ne^{xx}t is controlled via four humidity or temperature sensors. The Ne^{xx}t can be installed both under and on plaster. The installation housing of the surface mounted version includes a stylish design frame making an attractive visual impact.

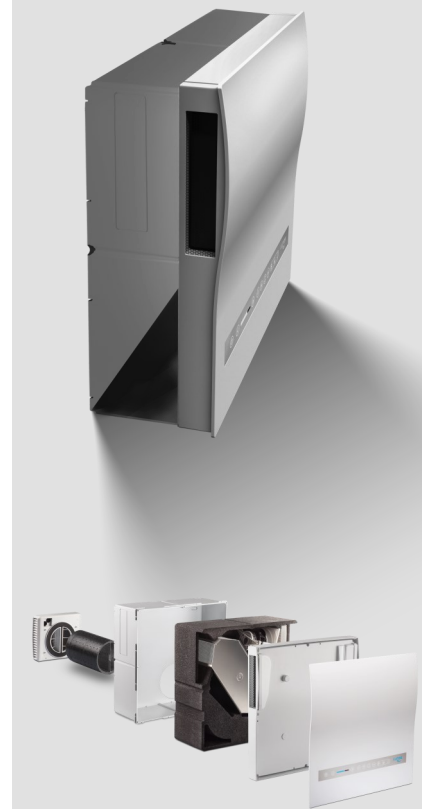
Installation

The Ne^{xx}t can be installed both under and on plaster. There are housings for surface or flush mounting available. A 160mm wall tube is used for the duct to the outside.

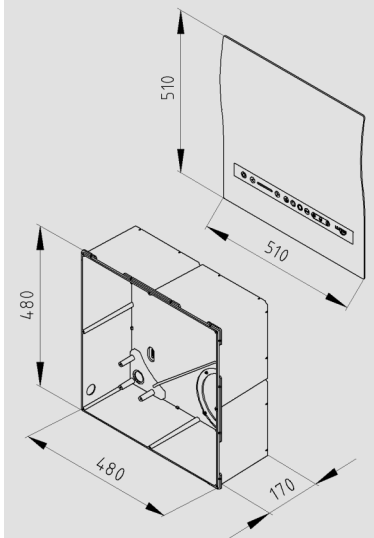
The cutout installation housing has to build-in with a depth of 170mm into the outer wall. For the rest of the distance to the outside is a drill hole needed where the pipe will be inserted and filled with adapters.

The Ne^{xx}t will be delivered with one passive transition section and two adapters. So an installation depth of 475 mm will be achieved with the included accessories. If the total depth of 475 mm is not sufficient there can be used further adapters.

For the surface-mounting is a design frame necessary. Only then the Ne^{xx}t can be used onto the outer wall.



Ne^{xx}t G



Ne^{xx}t by LUNOS ensures energy efficient class A according to the Ecodesign Directive



E289 07.16

Accessoires

Pipe	500 mm 9/R160 700 mm 9/R160-700
Filter (2 pcs.), Filter class M5	9/FNXT-5
Filter (2 pcs.), Filter class F7	9/FNXT-7
Filter (2 pcs.), Filter class F9	9/FNXT-9
Outer hood	
White	1/HWE-2
Anthracite	1/HAZ-2
Plastic white	1/EGA
Adapter (Ø x L) 152 x 100 mm	2/AD 160
Electrical flap closure	9/KVEN-2
Radio module, ec-Transceiver	5/FM
Wall installation housing	9/MRD
Assembly adhesive	

Technical data

Volume flow	15 – 90 m ³ /h <i>Infinitely variable</i>
Voltage	230 V / 50 Hz 115 V / 60 Hz on demand
Power consumption**	20 Watt
Heat recovery rate* **	84 %
Max. Heat recovery rate	90 %
<i>at 15 m³/h und test conditions according to EN13141-8</i>	
Sound power level**	39 dB(A)
Minimum wall thickness	Flush– mounted 110 mm Surface– mounted 280 mm
Dimensions of the device W x H x D	480 x 480 x 170 mm
Dimensions of the inner screen W x H x D	510 x 510 x 66 mm
Dimensions of the outer hood W x H x D	205 x 235 x 72 mm

* according to EN 13141-8

** at 70 % of the max. volume flow, according to the ErP-EU-directive 1254, measured of M5-Filter

Current processing: Juli 2016

Home ventilation with heat recovery – Ne^{xx}t

Article data

Built– in device NXT-G

Built– in device Ne^{xx}t, Counterflow heat exchanger with humidity– and temperature sensors, EPP– Cutout installation housing, heat insulation, two M5– Filter and two radial ec– motors

Brand LUNOS
Type NXT-G
Order number 040 100

Built– in device NXT-K

Built– in device Ne^{xx}t, Crossflow heat exchanger with humidity– and temperature sensors, EPP– Cutout installation housing, heat insulation, two M5– Filter and two radial ec– motors

Brand LUNOS
Type NXT-K
Order number 040 101

Housing 3/NXT

Ne^{xx}t Cutout installation housing for surface– or flush– mounting, incl. two adapters and one passive transition section

Brand LUNOS
Type 3/NXT
Order number 040 102

Housing 3/NXT-AP

Ne^{xx}t design frame, **necessary for using the cutout installation housing 3/NXT for surface mounting**

Brand LUNOS
Type 3/NXT-AP
Order number 040 103

9/FNXT-5, 2 pieces

Filter replacement package for the Ne^{xx}t, Filter class M5

Brand LUNOS
Type 9/FNXT-5 2er–P
Order number 040 109

9/FNXT– 7, 2 pieces

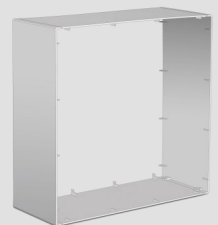
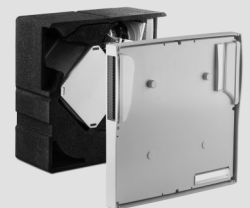
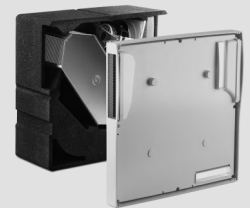
Filter replacement package for the Ne^{xx}t, Filter class F7

Brand LUNOS
Type 9/FNXT-7 2er–P
Order number 040 110

9/FNXT– 9, 2 pieces

Filter replacement package for the Ne^{xx}t, Filter class F9

Brand LUNOS
Type 9/FNXT-9 2er–P
Order number 040 111



Ne^{xx}t by LUNOS ensures energy efficient class A according to the Ecodesign Directive



E289 07.16

Current processing: Juli 2016